



Designation: D1557 – 07

## Standard Test Methods for Laboratory Compaction Characteristics of Soil Using Modified Effort (56,000 ft-lbf/ft<sup>3</sup>(2,700 kN-m/m<sup>3</sup>))<sup>1</sup>

This standard is issued under the fixed designation D1557; the number immediately following the designation indicates the year of original adoption or, in the case of revision, the year of last revision. A number in parentheses indicates the year of last reapproval. A superscript epsilon ( $\epsilon$ ) indicates an editorial change since the last revision or reapproval.

*This standard has been approved for use by agencies of the Department of Defense.*

### 1. Scope\*

1.1 These test methods cover laboratory compaction methods used to determine the relationship between molding water content and dry unit weight of soils (compaction curve) compacted in a 4- or 6-in. (101.6- or 152.4-mm) diameter mold with a 10.00-lbf. (44.48-N) rammer dropped from a height of 18.00 in. (457.2 mm) producing a compactive effort of 56 000 ft-lbf/ft<sup>3</sup> (2700 kN-m/m<sup>3</sup>).

NOTE 1—The equipment and procedures are the same as proposed by the U.S. Corps of Engineers in 1945. The modified effort test (see 3.1.2) is sometimes referred to as the Modified Proctor Compaction Test.

1.1.1 Soils and soil-aggregate mixtures are to be regarded as natural occurring fine- or coarse-grained soils, or composites or mixtures of natural soils, or mixtures of natural and processed soils or aggregates such as gravel or crushed rock. Hereafter referred to as either soil or material.

1.2 These test methods apply only to soils (materials) that have 30 % or less by mass of their particles retained on the 3/4-in. (19.0-mm) sieve and have not been previously compacted in the laboratory; that is, do not reuse compacted soil.

1.2.1 For relationships between unit weights and molding water contents of soils with 30 % or less by weight of material retained on the 3/4-in. (19.0-mm) sieve to unit weights and molding water contents of the fraction passing the 3/4-in. (19.0-mm) sieve, see Practice D4718.

1.3 Three alternative methods are provided. The method used shall be as indicated in the specification for the material being tested. If no method is specified, the choice should be based on the material gradation.

#### 1.3.1 Method A:

1.3.1.1 *Mold*—4-in. (101.6-mm) diameter.

1.3.1.2 *Material*—Passing No. 4 (4.75-mm) sieve.

1.3.1.3 *Layers*—Five.

1.3.1.4 *Blows per layer*—25.

1.3.1.5 *Usage*—May be used if 25 % or less by mass of the material is retained on the No. 4 (4.75-mm) sieve. However, if 5 to 25 % by mass of the material is retained on the No. 4 (4.75-mm) sieve, Method A can be used but oversize corrections will be required (See 1.4) and there are no advantages to using Method A in this case.

1.3.1.6 *Other Use*—If this gradation requirement cannot be met, then Methods B or C may be used.

#### 1.3.2 Method B:

1.3.2.1 *Mold*—4-in. (101.6-mm) diameter.

1.3.2.2 *Material*—Passing 3/8-in. (9.5-mm) sieve.

1.3.2.3 *Layers*—Five.

1.3.2.4 *Blows per layer*—25.

1.3.2.5 *Usage*—May be used if 25 % or less by mass of the material is retained on the 3/8-in. (9.5-mm) sieve. However, if 5 to 25 % of the material is retained on the 3/8-in. (9.5-mm) sieve, Method B can be used but oversize corrections will be required (See 1.4). In this case, the only advantages to using Method B rather than Method C are that a smaller amount of sample is needed and the smaller mold is easier to use.

1.3.2.6 *Other Usage*—If this gradation requirement cannot be met, then Method C may be used.

#### 1.3.3 Method C:

1.3.3.1 *Mold*—6-in. (152.4-mm) diameter.

1.3.3.2 *Material*—Passing 3/4-in. (19.0-mm) sieve.

1.3.3.3 *Layers*—Five.

1.3.3.4 *Blows per layer*—56.

1.3.3.5 *Usage*—May be used if 30 % or less (see 1.4) by mass of the material is retained on the 3/4-in. (19.0-mm) sieve.

1.3.4 The 6-in. (152.4-mm) diameter mold shall not be used with Method A or B.

NOTE 2—Results have been found to vary slightly when a material is tested at the same compactive effort in different size molds, with the smaller mold size typically yielding larger values of unit weight and density (1).<sup>2</sup>

1.4 If the test specimen contains more than 5 % by mass of oversize fraction (coarse fraction) and the material will not be

<sup>1</sup> These test methods are under the jurisdiction of ASTM Committee D18 on Soil and Rock and are the direct responsibility of Subcommittee D18.03 on Texture, Plasticity and Density Characteristics of Soils.

Current edition approved Nov. 1, 2007. Published November 2007. Originally approved in 1958. Last previous edition approved in 2002 as D1557 – 02<sup>e1</sup>. DOI: 10.1520/D1557-07.

<sup>2</sup> The boldface numbers in parentheses refer to the list of references at the end of this standard.

\*A Summary of Changes section appears at the end of this standard.

included in the test, corrections must be made to the unit weight and molding water content of the test specimen or to the appropriate field in-place unit weight (or density) test specimen using Practice D4718.

1.5 This test method will generally produce a well-defined maximum dry unit weight for non-free draining soils. If this test method is used for free-draining soils the maximum unit weight may not be well defined, and can be less than obtained using Test Methods D4253.

1.6 All observed and calculated values shall conform to the guidelines for significant digits and rounding established in Practice D6026, unless superseded by these test methods.

1.6.1 For purposes of comparing measured or calculated value(s) with specified limits, the measured or calculated value(s) shall be rounded to the nearest decimal or significant digits in the specified limits.

1.6.2 The procedures used to specify how data are collected/recorded or calculated in this standard are regarded as the industry standard. In addition, they are representative of the significant digits that generally should be retained. The procedures used do not consider material variation, purpose for obtaining the data, special purpose studies, or any considerations for the user's objectives; it is common practice to increase or reduce significant digits of reported data to be commensurate with these considerations. It is beyond the scope of these test methods to consider significant digits used in analytical methods for engineering design.

1.7 The values in inch-pound units are to be regarded as the standard. The values stated in SI units are provided for information only, except for units of mass. The units for mass are given in SI units only, g or kg.

1.7.1 It is common practice in the engineering profession to concurrently use pounds to represent both a unit of mass (lbm) and a force (lbf). This implicitly combines two separate systems of units; that is, the absolute system and the gravitational system. It is scientifically undesirable to combine the use of two separate sets of inch-pound units within a single standard. These test methods have been written using the gravitational system of units when dealing with the inch-pound system. In this system, the pound (lbf) represents a unit of force (weight). However, the use of balances or scales recording pounds of mass (lbm) or the recording of density in lbm/ft<sup>3</sup> shall not be regarded as a nonconformance with this standard.

1.8 *This standard does not purport to address all of the safety concerns, if any, associated with its use. It is the responsibility of the user of this standard to establish appropriate safety and health practices and determine the applicability of regulatory limitations prior to use.*

## 2. Referenced Documents

### 2.1 ASTM Standards:<sup>3</sup>

C127 Test Method for Density, Relative Density (Specific Gravity), and Absorption of Coarse Aggregate

- C136 Test Method for Sieve Analysis of Fine and Coarse Aggregates  
 D653 Terminology Relating to Soil, Rock, and Contained Fluids  
 D698 Test Methods for Laboratory Compaction Characteristics of Soil Using Standard Effort (12 400 ft-lbf/ft<sup>3</sup> (600 kN-m/m<sup>3</sup>))  
 D854 Test Methods for Specific Gravity of Soil Solids by Water Pycnometer  
 D2168 Test Methods for Calibration of Laboratory Mechanical-Rammer Soil Compactors  
 D2216 Test Methods for Laboratory Determination of Water (Moisture) Content of Soil and Rock by Mass  
 D2487 Practice for Classification of Soils for Engineering Purposes (Unified Soil Classification System)  
 D2488 Practice for Description and Identification of Soils (Visual-Manual Procedure)  
 D3740 Practice for Minimum Requirements for Agencies Engaged in Testing and/or Inspection of Soil and Rock as Used in Engineering Design and Construction  
 D4220 Practices for Preserving and Transporting Soil Samples  
 D4253 Test Methods for Maximum Index Density and Unit Weight of Soils Using a Vibratory Table  
 D4718 Practice for Correction of Unit Weight and Water Content for Soils Containing Oversize Particles  
 D4753 Guide for Evaluating, Selecting, and Specifying Balances and Standard Masses for Use in Soil, Rock, and Construction Materials Testing  
 D4914 Test Methods for Density and Unit Weight of Soil and Rock in Place by the Sand Replacement Method in a Test Pit  
 D5030 Test Method for Density of Soil and Rock in Place by the Water Replacement Method in a Test Pit  
 D6026 Practice for Using Significant Digits in Geotechnical Data  
 D6913 Test Methods for Particle-Size Distribution (Gradation) of Soils Using Sieve Analysis  
 E11 Specification for Woven Wire Test Sieve Cloth and Test Sieves  
 E319 Practice for the Evaluation of Single-Pan Mechanical Balances  
 IEEE/ASTM SI 10 Standard for Use of the International System of Units (SI): The Modern Metric System

## 3. Terminology

3.1 *Definitions:* See Terminology D653 for general definitions.

3.1.1 *molding water content,  $w$* —the water content of the soil (material) specimen in the mold after it has been reconstituted and compacted.

3.1.2 *modified effort*—in compaction testing, the term for the 56 000 ft-lbf/ft<sup>3</sup> (2700 kN-m/m<sup>3</sup>) compactive effort applied by the equipment and methods of this test.

3.1.3 *modified maximum dry unit weight,  $\gamma_{d,max}$*  (lbf/ft<sup>3</sup> (kN/m<sup>3</sup>))—in compaction testing, the maximum value defined by the compaction curve for a compaction test using modified effort.

<sup>3</sup> For referenced ASTM standards, visit the ASTM website, [www.astm.org](http://www.astm.org), or contact ASTM Customer Service at [service@astm.org](mailto:service@astm.org). For *Annual Book of ASTM Standards* volume information, refer to the standard's Document Summary page on the ASTM website.

3.1.4 *modified optimum water content*,  $w_{opt}$  (%)—in compaction testing, the water content at which the soil can be compacted to the maximum dry unit weight using modified compactive effort.

3.2 *Definitions of Terms Specific to This Standard:*

3.2.1 *oversize fraction (coarse fraction)*,  $P_C$  (%)—the portion of total specimen not used in performing the compaction test; it may be the portion of total specimen retained on the No. 4 (4.75-mm) sieve in Method A,  $\frac{3}{8}$ -in. (9.5-mm) sieve in Method B, or  $\frac{3}{4}$ -in. (19.0-mm) sieve in Method C.

3.2.2 *test fraction (finer fraction)*,  $P_F$  (%)—the portion of the total specimen used in performing the compaction test; it may be fraction passing the No. 4 (4.75-mm) sieve in Method A, passing the  $\frac{3}{8}$ -in. (9.5-mm) sieve in Method B, or passing the  $\frac{3}{4}$ -in. (19.0-mm) sieve in Method C.

#### 4. Summary of Test Method

4.1 A soil at a selected molding water content is placed in five layers into a mold of given dimensions, with each layer compacted by 25 or 56 blows of a 10.00-lbf (44.48-N) rammer dropped from a distance of 18.00 in. (457.2 mm), subjecting the soil to a total compactive effort of about 56 000 ft-lbf/ft<sup>3</sup> (2700 kN-m/m<sup>3</sup>). The resulting dry unit weight is determined. The procedure is repeated for a sufficient number of molding water contents to establish a relationship between the dry unit weight and the molding water content for the soil. This data, when plotted, represent a curvilinear relationship known as the compaction curve. The values of optimum water content and modified maximum dry unit weight are determined from the compaction curve.

#### 5. Significance and Use

5.1 Soil placed as engineering fill (embankments, foundation pads, road bases) is compacted to a dense state to obtain satisfactory engineering properties such as shear strength, compressibility, or permeability. In addition, foundation soils are often compacted to improve their engineering properties. Laboratory compaction tests provide the basis for determining the percent compaction and molding water content needed to achieve the required engineering properties, and for controlling construction to assure that the required compaction and water contents are achieved.

NOTE 3—The degree of soil compaction required to achieve the desired engineering properties is often specified as a percentage of the modified maximum dry unit weight as determined using this test method. If the required degree of compaction is substantially less than the modified maximum dry unit weight using this test method, it may be practicable for testing to be performed using Test Method D698 and to specify the degree of compaction as a percentage of the standard maximum dry unit weight. Since more energy is applied for compaction using this test method, the soil particles are more closely packed than when D698 is used. The general overall result is a higher maximum dry unit weight, lower optimum moisture content, greater shear strength, greater stiffness, lower compressibility, lower air voids, and decreased permeability. However, for highly compacted fine-grained soils, absorption of water may result in swelling, with reduced shear strength and increased compressibility, reducing the benefits of the increased effort used for compaction (2). Use of D698, on the other hand, allows compaction using less effort and generally at a higher optimum moisture content. The compacted soil may be less brittle, more flexible, more permeable, and less subject to effects of swelling and shrinking. In many applications, building or construction

codes may direct which test method, D698 or this one, should be used when specifying the comparison of laboratory test results to the degree of compaction of the in-place soil in the field.

5.2 During design of an engineered fill, testing performed to determine shear, consolidation, permeability, or other properties requires test specimens to be prepared by compacting the soil at a prescribed molding water content to obtain a predetermined unit weight. It is common practice to first determine the optimum water content ( $w_{opt}$ ) and maximum dry unit weight ( $\gamma_{dmax}$ ) by means of a compaction test. Test specimens are compacted at a selected molding water content ( $w$ ), either wet or dry of optimum ( $w_{opt}$ ) or at optimum ( $w_{opt}$ ), and at a selected dry unit weight related to a percentage of maximum dry unit weight ( $\gamma_{dmax}$ ). The selection of molding water content ( $w$ ), either wet or dry of optimum ( $w_{opt}$ ) or at optimum ( $w_{opt}$ ) and the dry unit weight ( $\gamma_{dmax}$ ) may be based on past experience, or a range of values may be investigated to determine the necessary percent of compaction.

5.3 Experience indicates that the methods outlined in 5.2 or the construction control aspects discussed in 5.1 are extremely difficult to implement or yield erroneous results when dealing with some soils. The following subsections describe typical problem soils, the problems encountered when dealing with such soils and possible solutions for these problems.

5.3.1 *Oversize Fraction*—Soils containing more than 30 % oversize fraction (material retained on the  $\frac{3}{4}$ -in. (19-mm) sieve) are a problem. For such soils, there is no ASTM test method to control their compaction and very few laboratories are equipped to determine the laboratory maximum unit weight (density) of such soils (USDI Bureau of Reclamation, Denver, CO and U.S. Army Corps of Engineers, Vicksburg, MS). Although Test Methods D4914 and D5030 determine the “field” dry unit weight of such soils, they are difficult and expensive to perform.

5.3.1.1 One method to design and control the compaction of such soils is to use a test fill to determine the required degree of compaction and the method to obtain that compaction. Then use a method specification to control the compaction. Components of a method specification typically contain the type and size of compaction equipment to be used, the lift thickness, acceptable range of molding water content, and number of passes.

NOTE 4—Success in executing the compaction control of an earthwork project, especially when a method specification is used, is highly dependent upon the quality and experience of the contractor and inspector.

5.3.1.2 Another method is to apply the use of density correction factors developed by the USDI Bureau of Reclamation (3,4) and U.S. Corps of Engineers (5). These correction factors may be applied for soils containing up to about 50 to 70 % oversize fraction. Both agencies use a different term for these density correction factors. The USDI Bureau of Reclamation uses  $D$  ratio (or  $D$  - VALUE), while the U.S. Corps of Engineers uses Density Interference Coefficient ( $I$ ).

5.3.1.3 The use of the replacement technique (Test Method D1557-78, Method D), in which the oversize fraction is replaced with a finer fraction, is inappropriate to determine the maximum dry unit weight,  $\gamma_{dmax}$ , of soils containing oversize fractions (5).

5.3.2 *Degradation*—Soils containing particles that degrade during compaction are a problem, especially when more degradation occurs during laboratory compaction than field compaction, the typical case. Degradation typically occurs during the compaction of a granular-residual soil or aggregate. When degradation occurs, the maximum dry-unit weight increases (1) so that the resulting laboratory maximum value is not representative of field conditions. Often, in these cases, the maximum dry unit weight is impossible to achieve in the field.

5.3.2.1 Again for soils subject to degradation, the use of test fills and method specifications may help. Use of replacement techniques is not correct.

5.3.3 *Gap Graded*—Gap-graded soils (soils containing many large particles with limited small particles) are a problem because the compacted soil will have larger voids than usual. To handle these large voids, standard test methods (laboratory or field) typically have to be modified using engineering judgement.

NOTE 5—The quality of the result produced by this standard is dependent on the competence of the personnel performing it, and the suitability of the equipment and facilities used. Agencies that meet the criteria of Practice D3740 are generally considered capable of competent and objective testing/sampling/inspection/etc. Users of this standard are cautioned that compliance with Practice D3740 does not in itself assure reliable results. Reliable results depend on many factors; Practice D3740 provides a means of evaluating some of those factors.

6. Apparatus

6.1 *Mold Assembly*—The molds shall be cylindrical in shape, made of rigid metal and be within the capacity and dimensions indicated in 6.1.1 or 6.1.2 and Fig. 1 and Fig. 2. See also Table 1. The walls of the mold may be solid, split, or tapered. The “split” type may consist of two half-round sections, or a section of pipe split along one element, which can be securely locked together to form a cylinder meeting the requirements of this section. The “tapered” type shall have an internal diameter taper that is uniform and not more than 0.200 in./ft (16.7 mm/m) of mold height. Each mold shall have a base plate and an extension collar assembly, both made of rigid metal and constructed so they can be securely attached and easily detached from the mold. The extension collar assembly shall have a height extending above the top of the mold of at least 2.0 in. (51 mm) which may include an upper section that

flares out to form a funnel, provided there is at least a 0.75-in. (19-mm) straight cylindrical section beneath it. The extension collar shall align with the inside of the mold. The bottom of the base plate and bottom of the centrally recessed area that accepts the cylindrical mold shall be planar within ±0.005 in. (±0.1 mm).

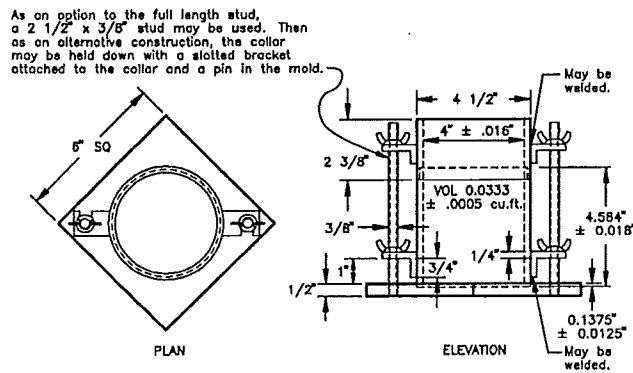
6.1.1 *Mold, 4 in.*—A mold having a  $4.000 \pm 0.016$ -in. ( $101.6 \pm 0.4$ -mm) average inside diameter, a height of  $4.584 \pm 0.018$  in. ( $116.4 \pm 0.5$  mm) and a volume of  $0.0333 \pm 0.0005$  ft<sup>3</sup> ( $943.0 \pm 14.0$  cm<sup>3</sup>). A mold assembly having the minimum required features is shown in Fig. 1.

6.1.2 *Mold, 6 in.*—A mold having a  $6.000 \pm 0.026$ -in. ( $152.4 \pm 0.7$ -mm) average inside diameter, a height of  $4.584 \pm 0.018$  in. ( $116.4 \pm 0.5$  mm), and a volume of  $0.0750 \pm 0.0009$  ft<sup>3</sup> ( $2124 \pm 25$  cm<sup>3</sup>). A mold assembly having the minimum required features is shown in Fig. 2.

6.2 *Rammer*—A rammer, either manually operated as described further in 6.2.1 or mechanically operated as described in 6.2.2. The rammer shall fall freely through a distance of  $18.00 \pm 0.05$  in. ( $457.2 \pm 1.3$  mm) from the surface of the specimen. The weight of the rammer shall be  $10.00 \pm 0.02$  lbf ( $44.48 \pm 0.09$  N, or mass of  $4.5364 \pm 0.009$  kg), except that the weight of the mechanical rammers may be adjusted as described in Test Methods D2168 (see Note 6). The striking face of the rammer shall be planar and circular, except as noted in 6.2.2.1, with a diameter when new of  $2.000 \pm 0.005$  in. ( $50.80 \pm 0.13$  mm). The rammer shall be replaced if the striking face becomes worn or bellied to the extent that the diameter exceeds  $2.000 \pm 0.01$  in. ( $50.80 \pm 0.25$  mm).

NOTE 6—It is a common and acceptable practice to determine the weight of the rammer using either a kilogram or pound balance and assume 1 lbf is equivalent to 0.4536 kg, 1 lbf is equivalent to 1 lbm, or 1 N is equivalent to 0.2248 lbf or 0.1020 kg.

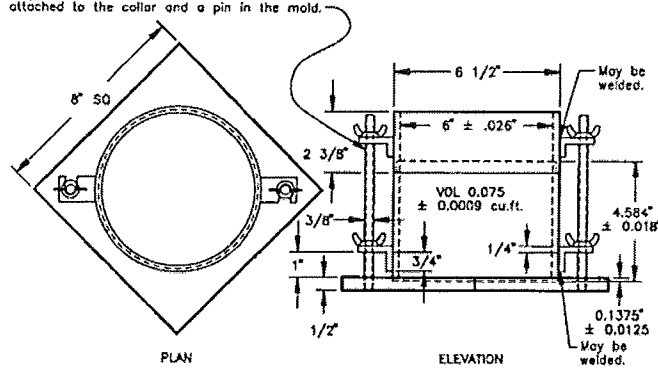
6.2.1 *Manual Rammer*—The rammer shall be equipped with a guide sleeve that has sufficient clearance that the free fall of the rammer shaft and head is not restricted. The guide sleeve shall have at least four vent holes at each end (eight holes total) located with centers  $3/4 \pm 1/16$  in. ( $19 \pm 2$  mm) from each end and spaced 90° apart. The minimum diameter of the vent holes shall be  $3/8$  in. (9.5 mm). Additional holes or slots may be incorporated in the guide sleeve.



NOTE 1—See Table 1 for metric equivalents.

FIG. 1 Cylindrical Mold, 4.0-in.

As an option to the full length stud, a 2 1/2" x 3/8" stud may be used. Then as an alternative construction, the collar may be held down with a slotted bracket attached to the collar and a pin in the mold.



NOTE 1—See Table 1 for metric equivalents.  
**FIG. 2 Cylindrical Mold, 6.0-in.**

**TABLE 1 Metric Equivalents for Figs. 1 and 2**

in.	mm
0.016	0.41
0.026	0.66
0.032	0.81
0.028	0.71
1/2	12.70
23/8	60.33
2 1/2	63.50
25/8	66.70
4	101.60
4 1/2	114.30
4.584	116.43
4 3/4	120.60
6	152.40
6 1/2	165.10
6 5/8	168.30
6 3/4	171.40
8 1/4	208.60
ft <sup>3</sup>	cm <sup>3</sup>
1/30 (0.0333)	943
0.0005	14
1/13.333 (0.0750)	2,124
0.0011	31

**6.2.2 Mechanical Rammer-Circular Face**—The rammer shall operate mechanically in such a manner as to provide uniform and complete coverage of the specimen surface. There shall be 0.10 ± 0.03-in. (2.5 ± 0.8-mm) clearance between the rammer and the inside surface of the mold at its smallest diameter. The mechanical rammer shall meet the standardization/calibration requirements of Test Methods D2168. The mechanical rammer shall be equipped with a positive mechanical means to support the rammer when not in operation.

**6.2.2.1 Mechanical Rammer-Sector Face**—The sector face shall be used with the 6.0-in. (152.4-mm) mold in place of the circular face rammer. The striking face shall have the shape of a sector of a circle of radius equal to 2.90 ± 0.02 in. (73.7 ± 0.5 mm) and an area about the same as the circular face (see 6.2). The rammer shall operate in such a manner that the vertex of the sector is positioned at the center of the specimen.

**6.3 Sample Extruder (optional)**—A jack, with frame or other device adapted for the purpose of extruding compacted specimens from the mold.

**6.4 Balance**—A Class GP5 balance meeting the requirements of Specification D4753 for a balance of 1-g readability. If the water content of the compacted specimens is determined using a representative portion of the specimen, rather than the whole specimen, and if the representative portion is less than 1000 g, a Class GP2 balance having a 0.1-g readability is needed in order to comply with Test Methods D2216 requirements for determining water content to 0.1 %.

NOTE 7—Use of a balance having an equivalent capacity and a readability of 0.002 lbm as an alternative to a class GP5 balance should not be regarded as nonconformance to this standard.

**6.5 Drying Oven**—Thermostatically controlled oven, capable of maintaining a uniform temperature of 230 ± 9°F (110 ± 5°C) throughout the drying chamber. These requirements typically require the use of a forced-draft type oven. Preferably the oven should be vented outside the building.

**6.6 Straightedge**—A stiff metal straightedge of any convenient length but not less than 10 in. (250 mm). The total length of the straightedge shall be machined straight to a tolerance of ±0.005 in. (±0.1 mm). The scraping edge shall be beveled if it is thicker than 1/8 in. (3 mm).

**6.7 Sieves**—3/4 in. (19.0 mm), 3/8 in. (9.5 mm), and No. 4 (4.75 mm), conforming to the requirements of Specification E11.

**6.8 Mixing Tools**—Miscellaneous tools such as mixing pan, spoon, trowel, spatula, spray device (to add water evenly), and (preferably, but optional) a suitable mechanical device for thoroughly mixing the subspecimen of soil with increments of water.

**7. Standardization/Calibration**

**7.1** Perform standardizations before initial use, after repairs or other occurrences that might affect the test results, at intervals not exceeding 1000 test specimens, or annually, whichever occurs first, for the following apparatus:

7.1.1 *Balance*—Evaluate in accordance with Specification D4753 or Practice E319.

7.1.2 *Molds*—Determine the volume as described in Annex A1.

7.1.3 *Manual Rammer*—Verify the free fall distance, rammer weight, and rammer face are in accordance with 6.2. Verify the guide sleeve requirements in accordance with 6.2.1.

7.1.4 *Mechanical Rammer*—Verify and adjust if necessary that the mechanical rammer in accordance with Test Methods D2168. In addition, the clearance between the rammer and the inside surface of the mold shall be verified in accordance with 6.2.2.

## 8. Test Specimen

8.1 The minimum test specimen (test fraction) mass for Methods A and B is about 16 kg, and for Method C is about 29 kg of dry soil. Therefore, the field sample (see Practices D4220 for practices of preserving and transporting soil samples) should have a moist mass of at least 23 kg and 45 kg, respectively. Greater masses would be required if the oversize fraction is large (see 10.2 or 10.3) or an additional molding water content is taken during compaction of each point (see 10.4.1).

8.2 If gradation data is not available, estimate the percentage of material (by mass) retained on the No. 4 (4.75-mm), 3/8-in. (9.5-mm), or 3/4-in. (19.0-mm) sieve as appropriate for selecting Method A, B, or C, respectively. If it appears the percentage retained of interest is close to the allowable value for a given Method (A, B, or C), then either:

8.2.1 Select a Method that allows a higher percentage retained (B or C).

8.2.2 Using the sieve size designated for the Method of interest, process the specimen in accordance with 10.2 or 10.3 herein. This determines the percentage of material retained for that method. If the percentage retained is acceptable, proceed. If the percentage retained is not acceptable, go to Method B or C using the next larger sieve size.

8.2.3 Determine percentage retained values using a representative portion from the total sample, and performing a simplified or complete gradation analysis using the sieve(s) of interest and Test Method D6913 or C136. It is only necessary to calculate the retained percentage(s) for the sieve or sieves for which information is desired.

## 9. Preparation of Apparatus

9.1 Select the proper compaction mold(s), collar, and base plate in accordance with the Method (A, B, or C) being used. Check that the volume of the mold is known and whether the volume was determined with or without the base plate. Also, check that the mold is free of nicks or dents, and that the mold will fit together properly with the collar and base plate.

9.2 Check that the manual or mechanical rammer assembly is in good working condition and that parts are not loose or worn. Make any necessary adjustments or repairs. If adjustments or repairs are made, the rammer must be restandardized.

## 10. Procedure

### 10.1 Soils:

10.1.1 Do not reuse soil that has been previously compacted in the laboratory. The reuse of previously compacted soil yields a significantly greater maximum dry unit weight (1).

10.1.2 When using this test method for soils containing hydrated halloysite, or in which past experience indicates that results will be altered by air-drying, use the moist preparation method (see Section 10.2). In referee testing, each laboratory has to use the same method of preparation, either moist (preferred) or air-dried.

10.1.3 Prepare the soil specimens for testing in accordance with 10.2 (preferred) or with 10.3.

10.2 *Moist Preparation Method (preferred)*—Without previously drying the sample/specimen, process it over a No. 4 (4.75-mm), 3/8-in. (9.5-mm), or 3/4-in. (19.0-mm) sieve, depending on the Method (A, B, or C) being used or required as covered in 8.2. For additional processing details, see Test Method D6913. Determine and record the mass of both the retained and passing portions (oversize fraction and test fraction, respectively) to the nearest g. Oven dry the oversize fraction and determine and record its dry mass to the nearest g. If it appears more than 0.5 % of the total dry mass of the specimen is adhering to the oversize fraction, wash that fraction. Then determine and record its oven dry mass to the nearest g. Determine and record the water content of the processed soil (test fraction). Using that water content, determine and record the oven dry mass of the test fraction to the nearest g. Based on these oven dry masses, the percent oversize fraction,  $P_C$ , and test fraction,  $P_F$ , shall be determined and recorded, unless a gradation analysis has already been performed. See Section 11 on Calculations.

10.2.1 From the test fraction, select and prepare at least four (preferably five) subspecimens having molding water contents such that they bracket the estimated optimum water content. A subspecimen having a molding water content close to optimum should be prepared first by trial additions or removals of water and mixing (see Note 8). Select molding water contents for the rest of the subspecimens to provide at least two subspecimens wet and two subspecimens dry of optimum, and molding water contents varying by about 2 %. At least two molding water contents are necessary on the wet and dry side of optimum to define the dry-unit-weight compaction curve (see 10.5). Some soils with very high optimum water content or a relatively flat compaction curve may require larger molding water content increments to obtain a well-defined maximum dry unit weight. Molding water content increments should not exceed about 4 %.

NOTE 8—With practice it is usually possible to visually judge a point near optimum water content. Typically, cohesive soils at the optimum water content can be squeezed into a lump that barely sticks together when hand pressure is released, but will break cleanly into two sections when "bent." They tend to crumble at molding water contents dry of optimum; they tend to stick together in a sticky cohesive mass wet of optimum. For cohesive soils, the optimum water content is typically slightly less than the plastic limit. For cohesionless soils, the optimum water content is typically close to zero or at the point where bleeding occurs.

10.2.2 Thoroughly mix the test fraction, then using a scoop select representative soil for each subspecimen (compaction point). Select about 2.3 kg when using Method A or B, or about 5.9 kg for Method C. Test Method D6913 section on Specimen

and Annex A2 give additional details on obtaining representative soil using this procedure and the reason it is the preferred method. To obtain the subspecimen's molding water contents selected in 10.2.1, add or remove the required amounts of water as follows: To add water, spray it into the soil during mixing; to remove water, allow the soil to dry in air at ambient temperature or in a drying apparatus such that the temperature of the sample does not exceed 140°F (60°C). Mix the soil frequently during drying to facilitate an even water content distribution. Thoroughly mix each subspecimen to facilitate even distribution of water throughout and then place in a separate covered container to stand (cure) in accordance with Table 2 prior to compaction. For selecting a standing time, the soil may be classified using Practice D2487, Practice D2488 or data on other samples from the same material source. For referee testing, classification shall be by Practice D2487.

**10.3 Dry Preparation Method**—If the sample/specimen is too damp to be friable, reduce the water content by air drying until the material is friable. Drying may be in air or by the use of drying apparatus such that the temperature of the sample does not exceed 140°F (60°C). Thoroughly break up the aggregations in such a manner as to avoid breaking individual particles. Process the material over the appropriate sieve: No. 4 (4.75 mm), 3/8 in. (9.5 mm), or 3/4 in. (19.0 mm). When preparing the material by passing over the 3/4-in. sieve for compaction in the 6-in. mold, break up aggregations sufficiently to at least pass the 3/8 in. sieve in order to facilitate the distribution of water throughout the soil in later mixing. Determine and record the water content of the test fraction and all masses covered in 10.2, as applicable to determine the percent oversize fraction,  $P_C$ , and test fraction,  $P_F$ .

**10.3.1** From the test fraction, select and prepare at least four (preferably five) subspecimens in accordance with 10.2.1 and 10.2.2, except for the following: Use either a mechanical splitting or quartering process to obtain the subspecimens. As stated in Test Method D6913, both of these processes will yield non-uniform subspecimens compared to the moist procedure. Typically, only the addition of water to each subspecimen will be required.

**10.4 Compaction**—After standing (curing), if required, each subspecimen (compaction point) shall be compacted as follows:

**10.4.1** Determine and record the mass of the mold or mold and base plate, see 10.4.7.

**10.4.2** Assemble and secure the mold and collar to the base plate. Check the alignment of the inner wall of the mold and mold extension collar. Adjust if necessary. The mold shall rest without wobbling/rocking on a uniform rigid foundation, such as provided by a cylinder or cube of concrete with a weight or mass of not less than 200 lb or 91 kg, respectively. Secure the base plate to the rigid foundation. The method of attachment to

the rigid foundation shall allow easy removal of the assembled mold, collar and base plate after compaction is completed.

**10.4.2.1** During the compaction procedure, it is advantageous but not required to determine the water content of each subspecimen immediately prior to compaction. This provides a check on the molding water content determined for each compaction point and the magnitude of bleeding. See 10.4.9. However, more soil will have to be selected for each subspecimen than stated in 10.2.2.

**10.4.3** Compact the soil in five layers. After compaction, each layer should be approximately equal in thickness and the final layer shall extend slightly into the collar. Prior to compaction, place the loose soil into the mold and spread into a layer of uniform thickness. Lightly tamp the soil prior to compaction until it is not in a fluffy or loose state, using either the manual rammer or a cylinder approximately 2 in. (50 mm) in diameter. Following compaction of each of the first four layers, any soil that has not been compacted, such as adjacent to the mold walls, or extends above the compacted surface (up the mold walls) shall be trimmed. The trimmed soil shall be discarded. A knife or other suitable device may be used. The total amount of soil used shall be such that the fifth compacted layer slightly extends into the collar, but does not extend more than approximately 1/4 in. (6 mm) above the top of the mold. If the fifth layer does extend above this limit, then the compaction point shall be discarded. In addition, the compaction point shall be discarded when the last blow on the rammer for the fifth layer results in the bottom of the rammer extending below the top of the compaction mold, unless the soil is pliable enough that this surface can easily be forced above the top of the compaction mold during trimming. See Note 9.

**10.4.4** Compact each layer with 25 blows for the 4-in. (101.6-mm) mold or with 56 blows for the 6-in. (152.4-mm) mold. The manual rammer shall be used for referee testing.

**10.4.5** In operating the manual rammer, take care to avoid lifting the guide sleeve during the rammer upstroke. Hold the guide sleeve steady and within 5° of vertical. Apply the blows at a uniform rate of about 25 blows/min and in such a manner as to provide complete, uniform coverage of the specimen surface. When using a 4-in. (101.6-mm) mold and manual rammer, follow the blow pattern given in Fig. 3(a) and Fig. 3(b) while for a mechanical rammer, follow the pattern in Fig. 3(b). When using a 6-in. (152.4-mm) mold and manual rammer, follow the blow pattern given in Fig. 4 up to the 9th blow, then systematically around the mold (Fig. 3(b)) and in the middle; while for a mechanical rammer use a sector face and a pattern having the logic given in Fig. 3(b). If the surface of the compacted soil becomes highly uneven, see Note 9, then adjust the pattern to follow the logic given in Fig. 3(a) or Fig. 4. This will most likely void the use of a mechanical rammer for such compaction points.

**NOTE 9**—When compacting specimens wetter than optimum water content, uneven compacted surfaces can occur and operator judgment is required as to the average height of the specimen and rammer pattern during compaction.

**10.4.6** Following compaction of the last layer, remove the collar and base plate (except as noted in 10.4.7) from the mold. A knife may be used to trim the soil adjacent to the collar to

**TABLE 2 Required Standing Times of Moisturized Specimens**

Classification	Minimum Standing Time, h
GW, GP, SW, SP	no requirement
GM, SM	3
All other soils	16

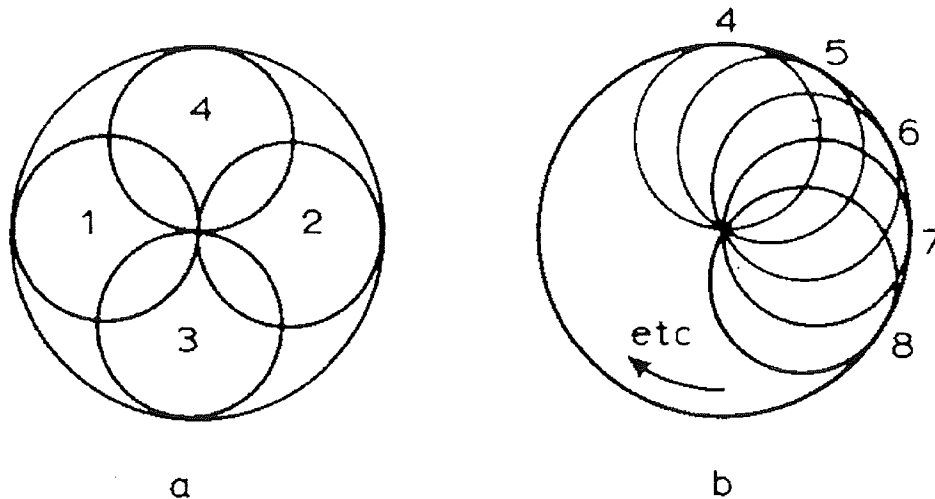


FIG. 3 Rammer Pattern for Compaction in 4-in. (101.6-mm) Mold

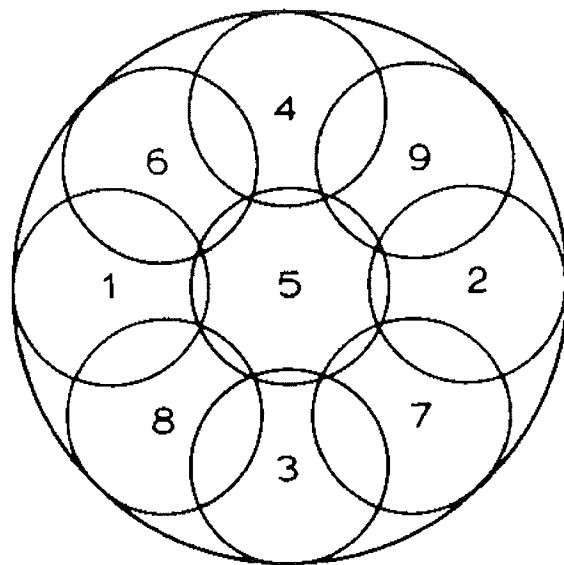


FIG. 4 Rammer Pattern for Compaction in 6-in. (152.4-mm) Mold

loosen the soil from the collar before removal to avoid disrupting the soil below the top of the mold. In addition, to prevent/reduce soil sticking to the collar or base plate, rotate them before removal.

10.4.7 Carefully trim the compacted specimen even with the top of the mold by means of the straightedge scraped across the top of the mold to form a plane surface even with the top of the mold. Initial trimming of the specimen above the top of the mold with a knife may prevent tearing out soil below the top of the mold. Fill any holes in either surface with unused or trimmed soil from the specimen, press in with the fingers, and again scrape the straightedge across the top of the mold. If gravel size particles are encountered, trim around them or remove them, whichever is the easiest and reduces the disturbance of the compacted soil. The estimated volume of particles above the surface of the compacted soil and holes in that surface shall be equal. Fill in remaining holes as mentioned above. Repeat the appropriate preceding operations on the

bottom of the specimen when the mold volume was determined without the base plate. For very wet or dry soils, soil or water may be lost if the base plate is removed. For these situations, leave the base plate attached to the mold. When the base plate is left attached, the volume of the mold must be calibrated with the base plate attached to the mold rather than a plastic or glass plate as noted in Annex A1 (A1.4.1).

10.4.8 Determine and record the mass of the specimen and mold to the nearest g. When the base plate is left attached, determine and record the mass of the specimen, mold and base plate to the nearest g.

10.4.9 Remove the material from the mold. Obtain a specimen for molding water content by using either the whole specimen (preferred method) or a representative portion. When the entire specimen is used, break it up to facilitate drying. Otherwise, obtain a representative portion of the five layers, removing enough material from the specimen to report the water content to 0.1 %. The mass of the representative portion



of soil shall conform to the requirements of Table 1, Method B, of Test Methods D2216. Determine the molding water content in accordance with Test Method D2216.

10.5 Following compaction of the last specimen, compare the wet unit weights to ensure that a desired pattern of obtaining data on each side of the optimum water content will be attained for the dry-unit-weight compaction curve. Plotting the wet unit weight and molding water content of each compacted specimen can be an aid in making the above evaluation. If the desired pattern is not obtained, additional compacted specimens will be required. Generally, for experienced plotters of compaction curves, one compaction point wet of the optimum water content is adequate to define the maximum wet unit weight. See 11.2.

## 11. Calculation and Plotting (Compaction Curve)

11.1 *Fraction Percentages*—If gradation data from Test Method D6913 is not available, calculate the dry mass of the test fraction, percentage of oversize fraction, and test fraction as covered below and using the data from 10.2 or 10.3:

11.1.1 *Test Fraction*—Determine the dry mass of the test fraction as follows:

$$M_{d,tf} = \frac{M_{m,tf}}{1 + \frac{w_{tf}}{100}} \quad (1)$$

where:

- $M_{d,tf}$  = dry mass of test fraction, nearest g or 0.001 kg,
- $M_{m,tf}$  = moist mass of test fraction, nearest g or 0.001 kg, and
- $w_{tf}$  = water content of test fraction, nearest 0.1 %.

11.1.2 *Oversize Fraction Percentage*—Determine the oversize (coarse) fraction percentage as follows:

$$P_C = \frac{M_{d,of}}{M_{d,of} + M_{d,tf}} \quad (2)$$

where:

- $P_C$  = percentage of oversize (coarse) fraction, nearest %,
- $M_{d,of}$  = dry mass of oversize fraction, nearest g or 0.001 kg.

11.1.3 *Test Fraction Percentage*—Determine the test (finer) fraction percentage as follows:

$$P_F = 100 - P_C \quad (3)$$

where:

- $P_F$  = percentage of test (finer) fraction, nearest %

11.2 *Density and Unit Weight*—Calculate the molding water content, moist density, dry density, and dry unit weight of each compacted specimen as explained below.

11.2.1 *Molding Water Content, w*—Calculate in accordance with Test Method D2216 to nearest 0.1 %.

11.2.2 *Density and Unit Weights*—Calculate the moist (total) density (Eq 4), the dry density (Eq 5), and then the dry unit weight (Eq 6) as follows:

11.2.2.1 *Moist Density.*

$$\rho_m = K \times \frac{(M_t - M_{md})}{V} \quad (4)$$

where:

- $\rho_m$  = moist density of compacted subspecimen (compaction point), four significant digits, g/cm<sup>3</sup> or kg/m<sup>3</sup>,
- $M_t$  = mass of moist soil in mold and mold, nearest g,
- $M_{md}$  = mass of compaction mold, nearest g,
- $V$  = volume of compaction mold, cm<sup>3</sup> or m<sup>3</sup> (see Annex A1), and
- $K$  = conversion constant, depending on density units and volume units. Use 1 for g/cm<sup>3</sup> and volume in cm<sup>3</sup>. Use 1000 for g/cm<sup>3</sup> and volume in m<sup>3</sup>. Use 0.001 for kg/cm<sup>3</sup> and volume in m<sup>3</sup>. Use 1000 for kg/m<sup>3</sup> and volume in cm<sup>3</sup>.

11.2.2.2 *Dry Density.*

$$\rho_d = \frac{\rho_m}{1 + \frac{w}{100}} \quad (5)$$

where:

- $\rho_d$  = dry density of compaction point, four significant digits, g/cm<sup>3</sup> or kg/m<sup>3</sup>, and
- $w$  = molding water content of compaction point, nearest 0.1 %.

11.2.2.3 *Dry Unit Weight.*

$$\gamma_d = K_1 \times \rho_d \quad (6)$$

in lbf/ft<sup>3</sup>, or,

$$\gamma_d = K_2 \times \rho_d \quad (7)$$

in kN/m<sup>3</sup>,

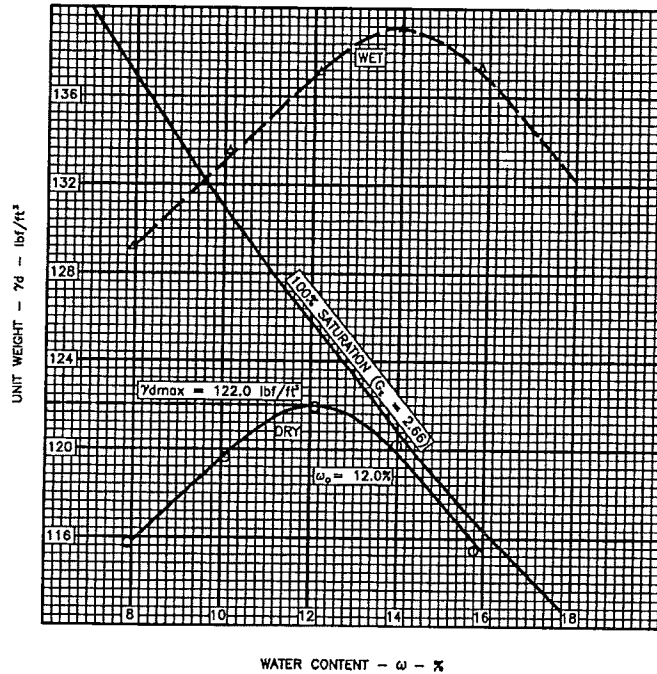
where:

- $\gamma_d$  = dry unit weight of compacted specimen, four significant digits, in lbf/ft<sup>3</sup> or kN/m<sup>3</sup>,
- $K_1$  = conversion constant, depending on density units. Use 62.428 for density in g/cm<sup>3</sup>, or use 0.062428 for density in kg/m<sup>3</sup>,
- $K_2$  = conversion constant, depending on density units. Use 9.8066 for density in g/cm<sup>3</sup>, or use 0.0098066 for density in kg/m<sup>3</sup>.

11.3 *Compaction Curve*—Plot the dry unit weight and molding water content values, the saturation curve (see 11.3.2), and draw the compaction curve as a smooth curve through the points (see example, Fig. 5). For each point on the compaction curve, calculate, record, and plot dry unit weight to the nearest 0.1 lbf/ft<sup>3</sup> (0.02 kN/m<sup>3</sup>) and molding water content to the nearest 0.1 %. From the compaction curve, determine the compaction results: optimum water content, to nearest 0.1 % and maximum dry unit weight, to the nearest 0.1 lbf/ft<sup>3</sup> (0.02 kN/m<sup>3</sup>). If more than 5 % by mass of oversize material was removed from the sample/specimen, calculate the corrected optimum water content and maximum dry unit weight of the total material using Practice D4718. This correction may be made to the appropriate field in-place density test specimen rather than to the laboratory compaction results.

11.3.1 In these plots, the scale sensitivities should remain the same, that is, the change in molding water content or dry unit weight per division is constant between plots. Typically, the change in dry unit weight per division is twice that of molding water content's (2 lbf/ft<sup>3</sup> to 1 %  $w$  per major division). Therefore, any change in the shape of the compaction curve is

COMPACTION TEST



NOTE 1—Wet Unit Weights are usually not plotted. They are plotted here for informational purposes only. Also notice that the compaction points may not all lie exactly on the compaction curve.

FIG. 5 Example Compaction Curve Plotting

a result of testing different material, not the plotting scale. However, a one to one ratio should be used for soils have a relatively flat compaction curve (see 10.2.1), such as highly plastic soils or relatively free draining ones up to the point of bleeding.

11.3.1.1 The shape of the compaction curve on the wet side on optimum should typically follow that of the saturation curve. The shape of the compaction curve on the dry side of optimum may be relatively flat or up and down when testing some soils, such as relatively free draining ones or plastic soils prepared using the moist procedure and having molding water contents close to or less than the shrinkage limit.

11.3.2 Plot the 100 % saturation curve, based on either an estimated or a measured specific gravity. Values of water content for the condition of 100 % saturation can be calculated as explained in 11.4 (see example, Fig. 5).

NOTE 10—The 100 % saturation curve is an aid in drawing the compaction curve. For soils containing more than about 10 % fines and molding water contents well above optimum, the two curves generally become roughly parallel with the wet side of the compaction curve between 92 % to 95 % saturation. Theoretically, the compaction curve cannot plot to the right of the 100 % saturation curve. If it does, there is an error in specific gravity, in measurements, in calculations, in testing, or in plotting. The 100 % saturation curve is sometimes referred to as the zero air voids curve or the complete saturation curve.

11.4 *Saturation Points*—To calculate points for plotting the 100 % saturation curve or zero air voids curve, select values of dry unit weight, calculate corresponding values of water content corresponding to the condition of 100 % saturation as follows:

$$w_{sat} = \frac{(\gamma_w)(G_s) - \gamma_d}{(\gamma_d)(G_s)} \times 100 \quad (8)$$

where:

- $w_{sat}$  = water content for complete saturation, nearest 0.1 %,
- $\gamma_w$  = unit weight of water, 62.32 lbf/ft<sup>3</sup> (9.789 kN/m<sup>3</sup>) at 20°C,
- $\gamma_d$  = dry unit weight of soil, lbf/ft<sup>3</sup> (kN/m<sup>3</sup>), three significant digits, and
- $G_s$  = specific gravity of soil (estimated or measured), to nearest 0.01 value, see 11.4.1.

11.4.1 Specific gravity may be estimated for the test fraction based on test data from other soils having the same soil classification and source or experience. Otherwise, a specific gravity test (Test Method C127, Test Method D854, or both) is necessary.

## 12. Report: Data Sheet(s)/Form(s)

12.1 The methodology used to specify how data are recorded on the test data sheet(s)/form(s), as described below, is covered in Section 1.6.

12.2 The data sheet(s)/form(s) shall contain as a minimum the following information:

- 12.2.1 Method used (A, B, or C).
- 12.2.2 Preparation method used (moist or dry).
- 12.2.3 As-received water content, if determined, nearest 1 %.
- 12.2.4 Modified optimum water content, Mod- $w_{opt}$  to nearest 0.1 %.

12.2.5 Modified maximum (optimum) dry unit weight,  $\text{Mod-}\gamma_{d,\text{max}}$  nearest 0.1 lbf/ft<sup>3</sup> or 0.02 kN/m<sup>3</sup>.

12.2.6 Type of rammer (manual or mechanical).

12.2.7 Soil sieve data when applicable for selection of Method (A, B, or C) used.

12.2.8 Description of sample used in test (as a minimum, color and group name and symbol), by Practice D2488, or classification by Test Method D2487.

12.2.9 Specific gravity and method of determination, nearest 0.01 value.

12.2.10 Identification of sample used in test, for example, project number/name, location, depth, and the like.

12.2.11 Compaction curve plot showing compaction points used to establish compaction curve, and 100 % saturation curve, value or point of maximum dry unit weight and optimum water content.

12.2.12 Percentages for the fractions retained ( $P_C$ ) and passing ( $P_F$ ) the sieve used in Method A, B, or C, nearest 1 %. In addition, if compaction data ( $\text{Mod-}w_{\text{opt}}$  and  $\text{Mod-}\gamma_{d,\text{max}}$ ) are corrected for the oversize fraction, include that data.

NOTE 11—The Data Sheet(s)/Form requirements in Section 12 are not

intended as requirements for reporting final test results to the requesting agency. The requirements apply to testing records for measurements, for intermediate calculations and for compaction points used to plot the compaction curve. It has been attempted in this test method to determine all measurements and calculations to four significant figures. The purpose is to ensure that precision is not lost due to rounding prior to plotting the compaction curve and that data sheets and forms retained by the laboratory contain that same degree of precision.

### 13. Precision and Bias

13.1 *Precision*—Data are being evaluated to determine the precision of this test method. In addition, pertinent data is being solicited from users of the test method.

13.2 *Bias*—It is not possible to obtain information on bias because no other method is available to determine the values of modified maximum dry unit weight and modified optimum water content.

### 14. Keywords

14.1 compaction characteristics; density; impact compaction using modified effort; laboratory tests; modified proctor test; moisture-density curves; soil compaction

## ANNEX

### (Mandatory Information)

#### A1. VOLUME OF COMPACTION MOLD

##### A1.1 Scope

A1.1.1 This annex describes the method for determining the volume of a compaction mold.

A1.1.2 The volume is determined by two methods, a water-filled method and a linear-measurement method.

A1.1.3 The water filling method for the 4-in. (106.5-mm) mold, when using a balance readable to nearest g, does not yield four significant figures for its volume, just three. Based on Practice D6026, this limits the density/unit weight determinations previously presented from four to three significant figures. To prevent this limitation, the water filling method has been adjusted from that presented in early versions of this test method.

##### A1.2 Apparatus

A1.2.1 In addition to the apparatus listed in Section 6, the following items are required:

A1.2.1.1 *Vernier or Dial Caliper*, having a measuring range of at least 0 to 6 in. (0 to 150 mm) and readable to at least 0.001 in. (0.02 mm).

A1.2.1.2 *Inside Micrometer (optional)*, having a measuring range of at least 2 to 12 in. (50 to 300 mm) and readable to at least 0.001 in. (0.02 mm).

A1.2.1.3 *Depth Micrometer (optional)*, having a measuring range of at least 0 to 6 in. (0 to 150 mm) and readable to at least 0.001 in. (0.02 mm).

A1.2.1.4 *Plastic or Glass Plates*—Two plastic or glass plates about 8 in. by 8 in. by ¼ in. thick (200 mm by 200 mm by 6 mm).

A1.2.1.5 *Thermometer or other Thermometric Device*—having a readability of 0.1°C and a maximum permissible error of 0.5°C.

A1.2.1.6 *Stopcock Grease* or similar sealant.

A1.2.1.7 *Distilled Water or De-ionized Water* Either type of water may be used to fill the mold when determining the mold volume using the water-filling method. Distilled water or de-ionized water may be purchased and is available in most grocery stores. In the procedure for the water-filling method, distilled water, or de-ionized water, is referred to as water.

A1.2.1.8 *Miscellaneous equipment*—Bulb syringe, towels, etc.

##### A1.3 Precautions

A1.3.1 Perform this method in an area isolated from drafts or extreme temperature fluctuations.

##### A1.4 Procedure

A1.4.1 *Water-Filling Method*:

A1.4.1.1 Lightly grease the bottom of the compaction mold and place it on one of the plastic or glass plates. Lightly grease the top of the mold. Be careful not to get grease on the inside of the mold. If it is necessary to use the base plate, as noted in 10.4.7, place the greased mold onto the base plate and secure with the locking studs.

A1.4.1.2 Determine the mass of the greased mold and both plastic or glass plates to the nearest 1 g and record,  $M_{mp}$ . When the base plate is being used in lieu of the bottom plastic or glass plate determine the mass of the mold, base plate and a single

plastic or glass plate to be used on top of the mold to the nearest 1 g and record.

A1.4.1.3 Place the mold and the bottom plate on a firm, level surface and fill the mold with water to slightly above its rim.

A1.4.1.4 Slide the second plate over the top surface of the mold so that the mold remains completely filled with water and air bubbles are not entrapped. Add or remove water as necessary with a bulb syringe.

A1.4.1.5 Completely dry any excess water from the outside of the mold and plates.

A1.4.1.6 Determine the mass of the mold, plates and water and record to the nearest 1 g,  $M_{mp,w}$

A1.4.1.7 Determine the temperature of the water in the mold to the nearest 0.1°C and record. Determine and record the density of water from the table given in D854 or as follows:

$$\rho_{w,c} = 1.00034038 - (7.77 \times 10^{-6}) \times T - (4.95 \times 10^{-6}) \times T^2 \quad (\text{A1.1})$$

where:

$\rho_{w,c}$  = density of water, nearest 0.00001 g/cm<sup>3</sup>, and  
 $T$  = calibration test temperature, nearest 0.1°C.

A1.4.1.8 Calculate the mass of water in the mold by subtracting the mass determined in A1.4.1.2 from the mass determined in A1.4.1.6.

A1.4.1.9 Calculate the volume of water by dividing the mass of water by the density of water. Record this volume to the nearest 0.1 cm<sup>3</sup> for the 4-in. (101.6-mm) mold or nearest 1 cm<sup>3</sup> for the 6-in. (152.4-mm) mold. To determine the volume of the mold in m<sup>3</sup>, multiply the volume in cm<sup>3</sup> by  $1 \times 10^{-6}$ . Record this volume, as prescribed.

A1.4.1.10 If the water-filling method is being used to determine the mold's volume and checked by linear measurement method, repeat this volume determination (A1.4.1.3-A1.4.1.9) and determine and record the average value,  $V_w$ , as prescribed.

#### A1.4.2 Linear Measurement Method:

A1.4.2.1 Using either the vernier caliper or the inside micrometer (preferable), measure the inside diameter (ID) of the mold six times at the top of the mold and six times at the bottom of the mold spacing each of the six top and bottom measurements equally around the inside circumference of the mold. Record the values to the nearest 0.001 in. (0.02 mm). Determine and record the average ID to the nearest 0.001 in. (0.02 mm),  $d_{avg}$ . Verify that this ID is within specified tolerances,  $4.000 \pm 0.016$  in. ( $101.6 \pm 0.4$  mm); if not, discard the mold.

A1.4.2.2 Using the vernier caliper or depth micrometer (preferably), measure the inside height of the mold to the base plate. In these measurements, make three or more measurements equally spaced around the inside circumference of the mold, and preferably one in the center of the mold, but not required (use the straightedge to facilitate the latter measurement and correct the measurement for the thickness of the straightedge). Record these values to the nearest 0.001 in. (0.02 mm). Determine and record the average of these height measurements to the nearest 0.001 in. (0.02 mm),  $h_{avg}$ . Verify that this height is within specified tolerances,  $4.584 \pm 0.018$  in. ( $116.4 \pm 0.5$  mm); if not, discard the mold.

A1.4.2.3 Calculate the volume of the mold to four significant digits in cm<sup>3</sup> as follows:

$$V_m = K_3 \frac{\pi \times h_{avg} \times (d_{avg})^2}{4} \quad (\text{A1.2})$$

where:

$V_m$  = volume of mold by linear measurements, to four significant digits, cm<sup>3</sup>,

$K_3$  = constant to convert measurements made in inch (in.) or mm. Use 16.387 for measurements in inches. Use  $10^{-6}$  for measurements in mm.

$\pi$  = 3.14159,

$h_{avg}$  = average height, in. (mm), and

$d_{avg}$  = average of the top and bottom diameters, in. (mm).

If the volume in m<sup>3</sup> is required, then multiply the above value by  $10^{-6}$ .

### A1.5 Comparison of Results and Standardized Volume of Mold

A1.5.1 The volume obtained by either method should be within the volume tolerance requirements of 6.1.1 and 6.1.2, using either or cm<sup>3</sup> or ft<sup>3</sup>. To convert cm<sup>3</sup> to ft<sup>3</sup>, divide cm<sup>3</sup> by 28 317, record to the nearest 0.0001 ft<sup>3</sup>.

A1.5.2 The difference between the two methods should not exceed 0.5 % of the nominal volume of the mold, cm<sup>3</sup> or ft<sup>3</sup>.

A1.5.3 Repeat the determination of volume which is most suspect, or both, if these criteria are not met.

A1.5.4 Failure to obtain satisfactory agreement between the two methods, even after several trials, is an indication that the mold is badly deformed and should be replaced.

A1.5.5 Use the volume of the mold determined using the water-filling method or linear method, or average of both methods as the standardized volume for calculating the moist density (see 11.2.2.1). This value ( $V$ ) in cm<sup>3</sup> or m<sup>3</sup> shall have four significant digits. The use of a volume in ft<sup>3</sup>, along with masses in lbm shall not be regarded as a nonconformance with this standard.

## REFERENCES

- (1) Johnson, A.W., and Sallberg, J.R., *Factors Influencing Compaction Test Results*, Highway Research Board, Bulletin 318, Publication 967, National Academy of Sciences-National Research Council, Washington, DC, 1962, p. 73.
- (2) Head, K. H., *Manual of Soil Laboratory Testing: Volume 1 Soil Classification and Compaction Tests*, Pentech Press, London, Second Edition, 1992, p. 313.
- (3) *Earth Manual*, United States Bureau of Reclamation, Part 1, Third Edition, 1998, pp. 255-260.
- (4) *Earth Manual*, United States Bureau of Reclamation, Part 2, Third Edition, 1990.
- (5) Torrey, V.H., and Donaghe, R.T., "Compaction Control of Earth-Rock Mixtures: A New Approach," *Geotechnical Testing Journal*, GT-JODJ, Vol 17, No 3, September 1994, pp. 371-386.

## SUMMARY OF CHANGES

Committee D18 has identified the location of selected changes to this standard since the last issue (D1557 – 02<sup>e</sup>) that may impact the use of this standard. (Approved November 1, 2007.)

- (1) Moved Note 1 and Note 3 into the text. Also, add in 1.2 that compacted soil cannot be reused, since it is such an important issue.
- (2) The amount of allowable oversize fraction increased to 25 % for Method A & B.
- (3) In 1.3, simplified the description of the gradation controlling the selection of the method.
- (4) Updated the section on units.
- (5) Added reference to D6913 for gradation and sample/specimen processing.
- (6) In Terminology, relocated some terms to definitions and made editorial changes.
- (7) In apparatus for ovens, added the guidance that they should be vented outside the building. In mixing tools, made the mixer optional. The sector face has to be used for the 6-in. mold and the area of its face the same as the circular one. The requirement for balances was changed to conform to the latest version of D2216 used to determine water content.
- (8) More guidance is provided in following areas: a) why one shall not reuse compacted soil. b) plotting compaction curve. c) using molding water content to check the one taken after compaction and to determine magnitude of bleeding. d) proper pattern of rammer during compaction and what to do when the rammer causes soil to flow up the sides. e) removing the collar and mold from base plate. f) trimming subspecimens containing gravel. g) calculating the percentages for oversize and test fractions.
- (9) Section 10.4.9 was reworded to permit alternative methods for obtaining water content samples from compacted specimens and to clarify the requirements of D2216.
- (10) Changed the title and revised the Calculations section.
- (11) Updated the Report section to agree with D18.91 requirements.
- (12) Updated the Annex on volume of mold to allow either water filling or linear method to determine the volume of the mold, to measure temperature to 0.1°C instead of nearest 1°C, and to use D854 (or equation) for density of water.

*ASTM International takes no position respecting the validity of any patent rights asserted in connection with any item mentioned in this standard. Users of this standard are expressly advised that determination of the validity of any such patent rights, and the risk of infringement of such rights, are entirely their own responsibility.*

*This standard is subject to revision at any time by the responsible technical committee and must be reviewed every five years and if not revised, either reapproved or withdrawn. Your comments are invited either for revision of this standard or for additional standards and should be addressed to ASTM International Headquarters. Your comments will receive careful consideration at a meeting of the responsible technical committee, which you may attend. If you feel that your comments have not received a fair hearing you should make your views known to the ASTM Committee on Standards, at the address shown below.*

*This standard is copyrighted by ASTM International, 100 Barr Harbor Drive, PO Box C700, West Conshohocken, PA 19428-2959, United States. Individual reprints (single or multiple copies) of this standard may be obtained by contacting ASTM at the above address or at 610-832-9585 (phone), 610-832-9555 (fax), or service@astm.org (e-mail); or through the ASTM website (www.astm.org).*